

## **26 USC 5844, 18 USC 922(o), 22 USC 2778: IMPORTATION OF STEN TYPE RECEIVERS FOR UNRESTRICTED COMMERCIAL SALE**

An ATF-approved method of destruction for the Sten type machinegun will result in the severed portions of the receiver being importable for unrestricted commercial sale.

### **ATF Rul. 2003-4**

The Bureau of Alcohol, Tobacco and Firearms (ATF) has received inquiries about modifications necessary to the receiver of a Sten type machinegun to make it importable under 26 U.S.C. 5844 and 18 U.S.C. 922(o) for unrestricted commercial sale.

The Sten is a machinegun as defined in 26 U.S.C. 5845(b). The receiver of a Sten is also a machinegun as defined. Various manufacturers made Sten style machineguns in caliber 9x19mm (9mm Luger). The Sten is a blowback-operated, shoulder-fired, magazine-fed, selective-fire submachinegun.

Section 5844 of Title 26, United States Code, makes it unlawful to import any firearm into the United States, unless the firearm to be imported or brought in is: (1) being imported for use by the United States or any department, independent establishment, or agency thereof or any State or possession or any political subdivision thereof; or (2) the firearm is being imported for scientific or research purposes; or (3) it is being imported solely for testing or use as a model by a registered manufacturer or solely for use as a sample by a registered importer or dealer. Additionally, the Secretary may permit the conditional importation of a firearm for examination and testing in connection with classifying the firearm.

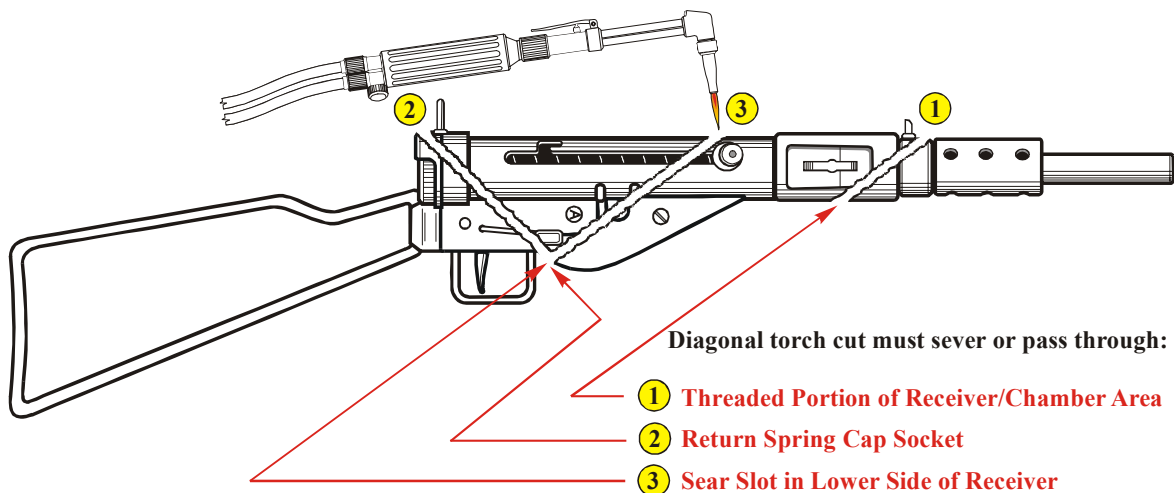
Section 922(o) of Title 18, United States Code, makes it unlawful for any person to transfer or possess a machinegun, except a transfer to or by the United States or any department or agency thereof or a State or a department, agency, or political subdivision thereof; or any lawful transfer or lawful possession of a machinegun lawfully possessed before May 19, 1986.

A review of the statutes above indicates that machineguns and machinegun receivers cannot be lawfully imported for unrestricted commercial sale. Accordingly, machinegun receivers may be imported for commercial sale only if they are destroyed in a manner that will prevent their function and future use as a firearm. The resulting severed receiver portions would not be subject to the provisions of 26 U.S.C. 5844 or 18 U.S.C. 922(o); however, these articles would be subject to the provisions of the Arms Export Control Act, 18 U.S.C. 925, 22 U.S.C. 2778, and implementing regulation at 27 CFR Part 47. It is important to note that these machinegun receivers must be destroyed and cannot be imported whether they are serviceable or unserviceable.

An ATF-approved method of destruction for a Sten type machinegun receiver requires three diagonal torch cuts that sever or pass through the following areas: (1) the threaded portion of the receiver/chamber area, (2) the return spring cap socket, and (3) the sear slot in the lower side of the receiver. All cutting must be done with a cutting torch having a tip of sufficient size to displace at least ¼ inch of material at each location. Each cut must completely sever the receiver in the designated areas and must be done with a diagonal torch cut. Using a bandsaw or a cut-off wheel to destroy the receiver does not ensure destruction of the weapon.

This method of destruction is illustrated in the diagram below.

## Sten Type Firearm

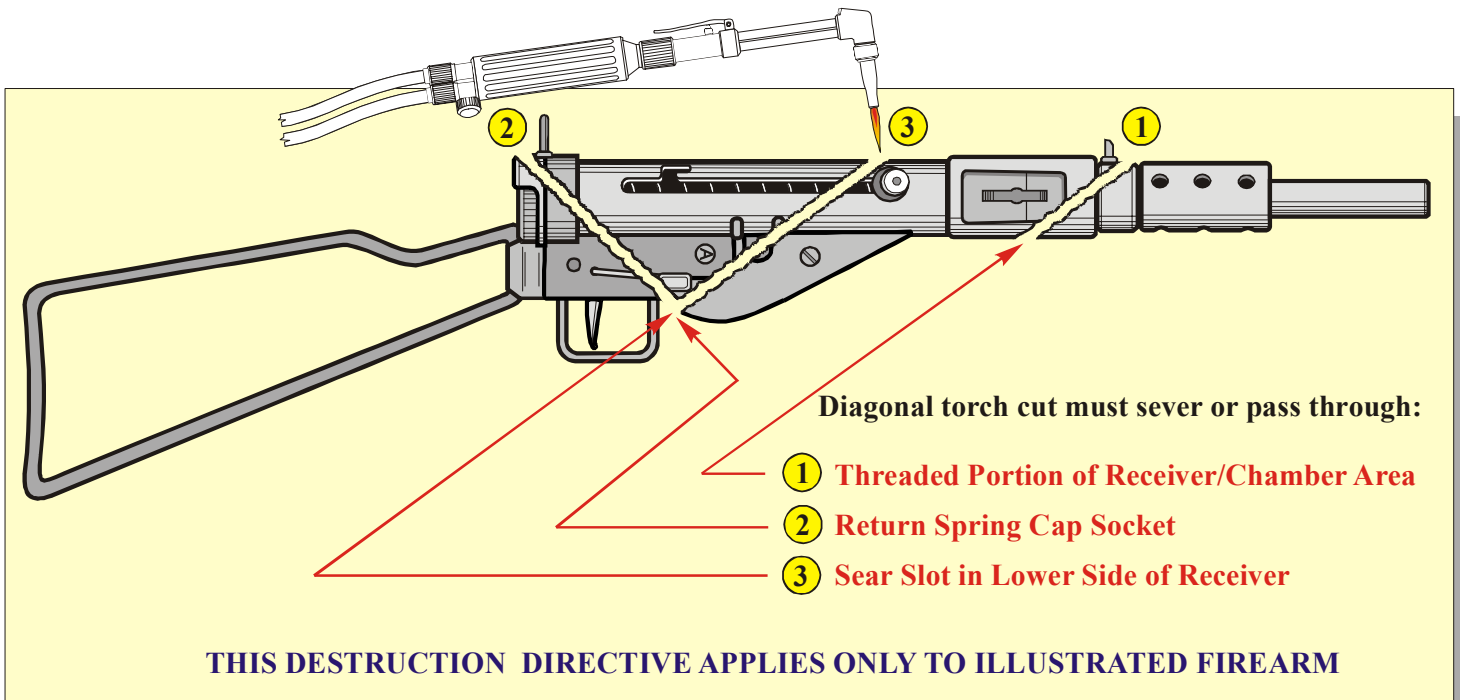


Alternative methods of destruction may also be acceptable. These alternative methods must be equivalent in degree to the approved method of destruction. Receivers that are not sufficiently modified cannot be approved for importation. To ensure compliance with the law, it is recommended that the importer submit in writing the alternative method of destruction to the ATF Firearms Technology Branch (FTB) for review and approval prior to importation.

Held, an ATF-approved method of destruction for a Sten type machinegun receiver will result in the severed portions of the receiver being importable for unrestricted commercial sale. The severed articles would not be subject to the provisions of 26 U.S.C. 5844 or 18 U.S.C. 922(o), but would continue to be subject to the provisions of the Arms Export Control Act, 22 U.S.C. 2778. Alternative methods of destruction may also be acceptable. It is recommended that such methods be reviewed and approved by the ATF Firearms Technology Branch prior to the weapon's importation.

Date signed: January 24, 2003.

## Sten Type Firearm



The purpose of this procedure is to destroy the receiver or frame in a manner that will prevent its function and future use as a firearm. A proper method of destroying this firearm is to cut the receiver into separate pieces as follows:

All cutting must be done with a cutting torch having a tip of sufficient size to displace at least 1/4 inch of material at each location.

- Each cut must completely sever the receiver in the area indicated by the diagonal lines.
- The receiver must be completely severed in each area indicated using a diagonal torch cut.
- Cutting by means of a bandsaw or cut-off wheel does not ensure destruction.

**NOTE:** *Alternative methods of destruction defining the proposed procedure must be submitted in writing to the ATF Firearms Technology Branch for review and approval prior to implementation.*